

# Product data sheet

## Characteristics

# 8910DPA33V04

Contactor, Definite Purpose, 30A, 3 pole, 20 HP at 575 VAC, 3 phase, 277 VAC 60 Hz coil, open



Product availability: Stock - Normally stocked in distribution facility

Price\*: 96.63 USD



### Main

Product or component type	Definite Purpose Contactor
Line Rated Current	30 A
Poles description	3P
Pole contact composition	3 NO
Range of product	DPA

### Complementary

Maximum Horse Power Rating	2 Hp 115 V AC, 1 phase 5 Hp 230 V AC, 1 phase 10 Hp 230 V AC, 3 phase 15 Hp 460 V AC, 3 phase 20 Hp 575 V AC, 3 phase
Locked rotor rated current	150 A 460 V AC 120 A 575 V AC 180 A 277 V AC
[Ue] rated operational voltage	600 V AC
[Uc] control circuit voltage	277 V AC 60 Hz
Phase	3 phase
Electrical connection	Quick connect terminals Binder head

### Environment

Product certifications	UL Recognized CSA
------------------------	----------------------

The information provided in this documentation contains general descriptions and/or technical characteristics of the performance of the products contained herein. This documentation is not intended as a substitute for and is not to be used for determining suitability or reliability of these products for specific user applications. It is the duty of any such user or integrator to perform the appropriate and complete risk analysis, evaluation and testing of the products with respect to the relevant specific application or use thereof. Neither Schneider Electric Industries SAS nor any of its affiliates or subsidiaries shall be responsible or liable for misuse of the information contained herein. \*Prices are indicative

## Ordering and shipping details

Category	21343 - 8910 DPA 3_(30 AMP)
Discount Schedule	CP1B
GTIN	00785901024422
Nbr. of units in pkg.	1
Package weight(Lbs)	16.16 Oz (458.128 g)
Returnability	Yes
Country of origin	CN

## Packing Units

Unit Type of Package 1	PCE
Package 1 Height	2.50 In (6.35 cm)
Package 1 width	3.20 In (8.128 cm)
Package 1 Length	4.20 In (10.668 cm)

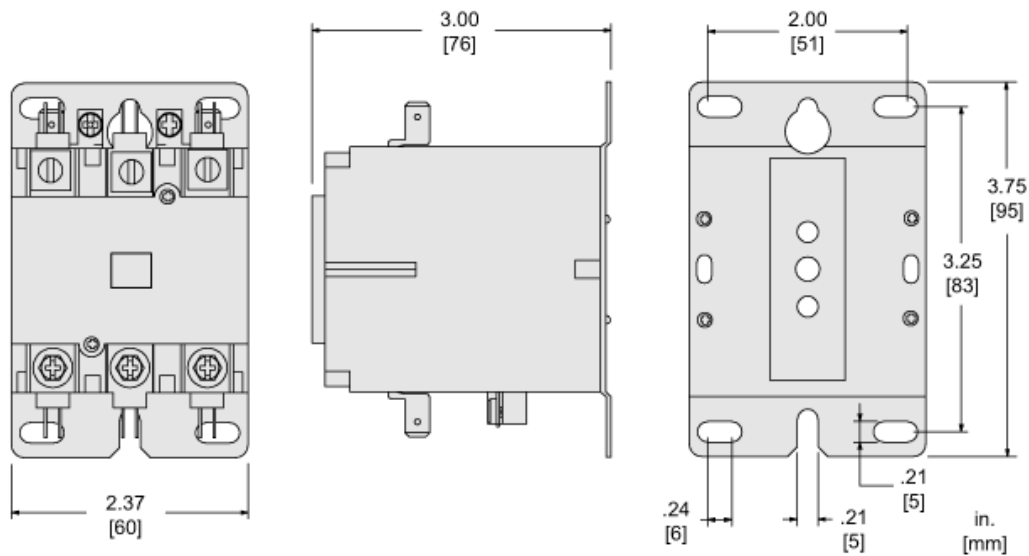
## Offer Sustainability

REACH Regulation	<a href="#">REACH Declaration</a>
EU RoHS Directive	Compliant <a href="#">EU RoHS Declaration</a>
Mercury free	Yes
RoHS exemption information	<a href="#">Yes</a>
China RoHS Regulation	<a href="#">China RoHS Declaration</a>

## Contractual warranty

Warranty	18 months
----------	-----------

Approximate Dimensions



Product Life Status : Commercialised